



i-VALVE® CUADRO

EXHAUST/SUPPLY
SQUARE ABS VALVE
AIR MANAGEMENT SYSTEMS

PRODUCT PROPERTIES

The **I-Valve Cuadro Ø125** is perfectly well designed as a supply and exhaust valve. The best solution for indoor climate. Suitable for sealing and wall installation. The perfect match.

Easy to select the right air volume by adjusting the front plate in 4 lockable positions (5mm steps, gap height is 0-15mm).

Due to the removable cone we create the highest performance with regard to noise and to adjust the pressure and consequently the air volume.

The **I-Valve Cuadro** is manufactured from high quality ABS. These are UV-resistant, scratch resistant, colour fast and Antistatic. Standard color white (RAL9002).

Easy to insert a removable Volume or Filter unit as accessory. Just remove the front plate and place one of the units.

Rubber sealing for the perfect fitting and airtightness.

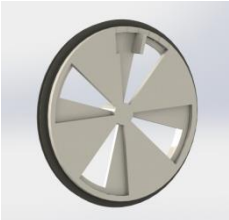
PACKAGING

Individually packed in a single white box.

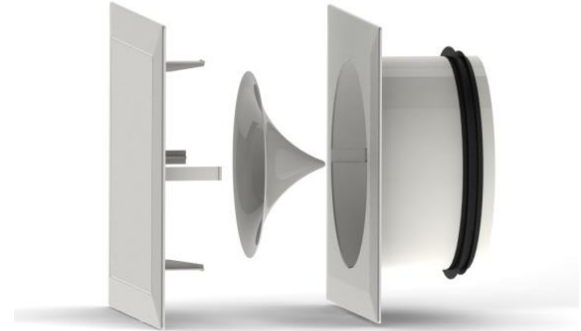
Article code: SABSV-125-R9002

Available accessories

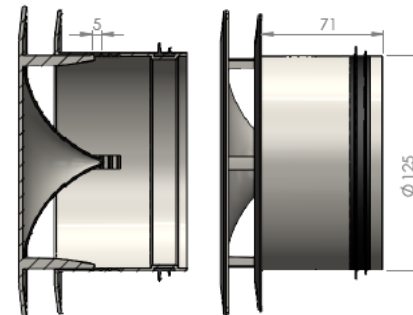
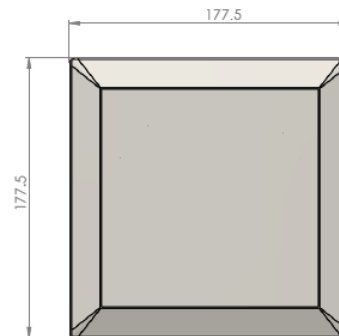
Art. code: **VUA125** - Volume unit Antistatic (5 steps)



Art. Code: **FUAA125** - Filter unit antistatic



DIMENSIONS in mm



GRAFICS EXPLANATION

For graphics Exhaust and Supply (with and without filter): 1, 2, 3, 4 = valve positions

For graphics Exhaust and Supply (With regulator): a, b, c, d, e = positions of regulator in valve position 1

LIABILITY:

The information contained in this brochure was current on the publication date. DEC INTERNATIONAL reserves the right to make changes in details at any time without prior notice. In order to avoid misunderstandings, any interested party is advised to contact DEC INTERNATIONAL checking for any changes in materials and/or information after this brochure was published.

PLEASE NOTICE:

The consultant is responsible for the actual installation and mounting of the product. The mentioned values with respect to temperatures are not appropriate to be used to determine the physical properties. These properties are also dependent on humidity and the temperature of the air inside and outside of the H.V.A.C. system.

TRADEMARKS:

DEC International and the DEC logo are trademarks, or registered trademarks of Dutch Environment Corporation BV in the Netherlands and/or other countries.

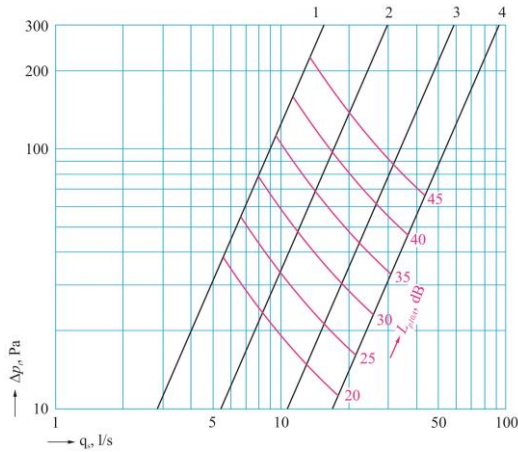




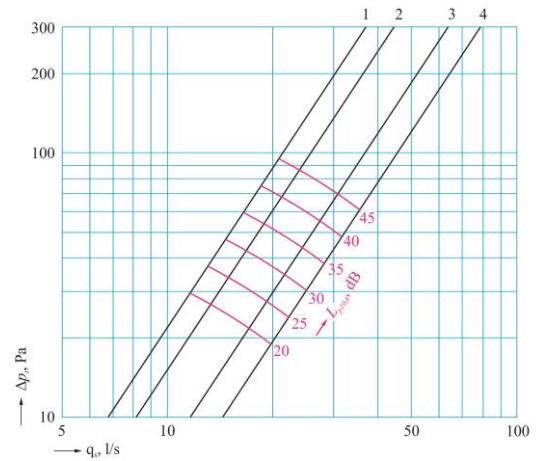
i-VALVE[®] CUADRO

EXHAUST/SUPPLY
SQUARE ABS VALVE
AIR MANAGEMENT SYSTEMS

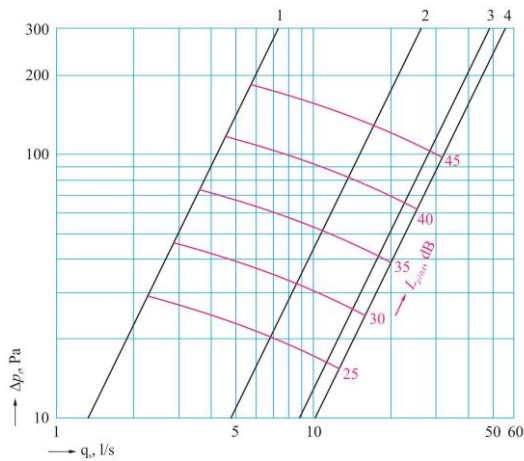
**EXHAUST
125 mm**



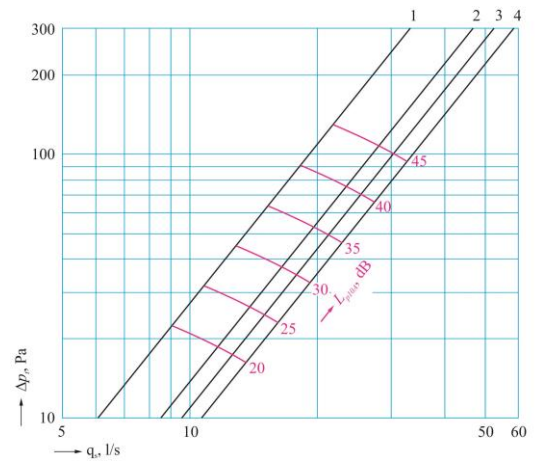
**SUPPLY
125 mm**



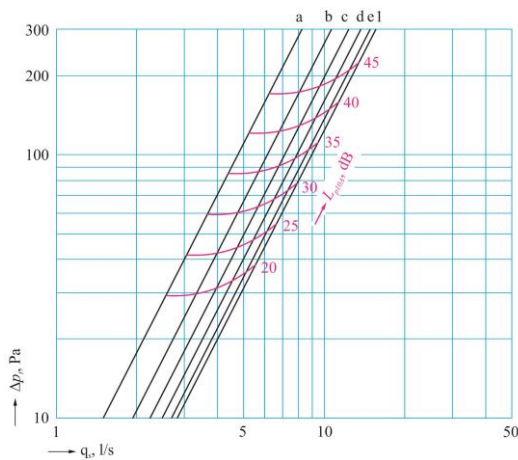
**EXHAUST
125mm with FILTER**



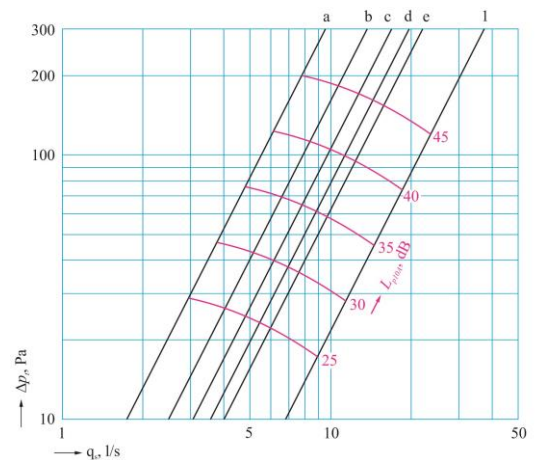
**SUPPLY
125mm with FILTER**



**EXHAUST
125mm with REGULATOR**



**SUPPLY
125mm with REGULATOR**



DEFINITIONS

q_v	air volume	(l/s)
Δp_t	total pressure drop	(Pa)
L_{p10A}	sound pressure level with 4 dB room attenuation (10 m ² sab)	[dB(A)]

LIABILITY:
The information contained in this brochure was current on the publication date. DEC INTERNATIONAL reserves the right to make changes in details at any time without prior notice. In order to avoid misunderstandings, any interested party is advised to contact DEC INTERNATIONAL checking for any changes in materials and/or information after this brochure was published.

PLEASE NOTICE:
The consultant is responsible for the actual installation and mounting of the product. The mentioned values with respect to temperatures are not appropriate to be used to determine the physical properties. These properties are also dependent on humidity and the temperature of the air inside and outside of the H.V.A.C. system.

TRADEMARKS:
DEC International and the DEC logo are trademarks, or registered trademarks of Dutch Environment Corporation BV in the Netherlands and/or other countries.

